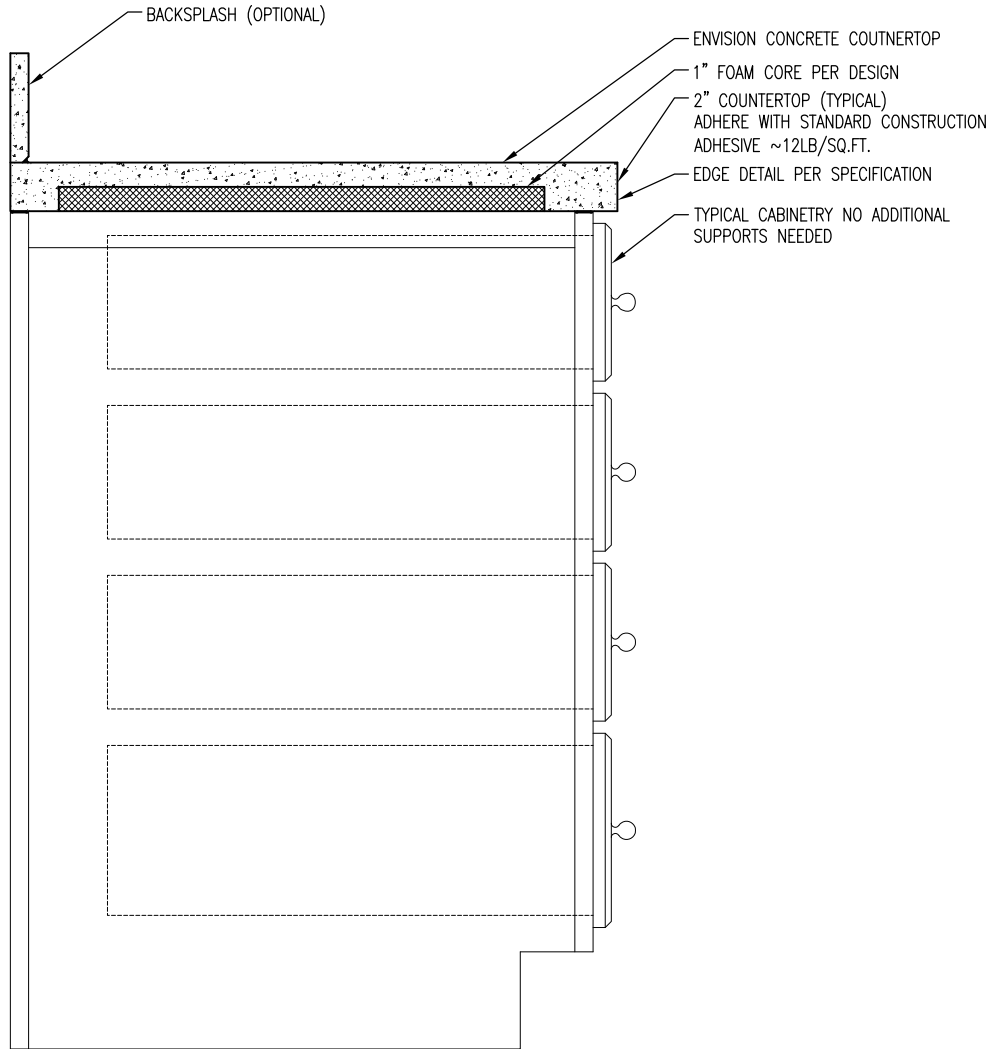


1 TYPICAL ENVISION CONCRETE COUNTERTOP PLAN
Scale: N.T.S.



2 TYPICAL ENVISION CONCRETE COUNTERTOP DETAIL
Scale: N.T.S.

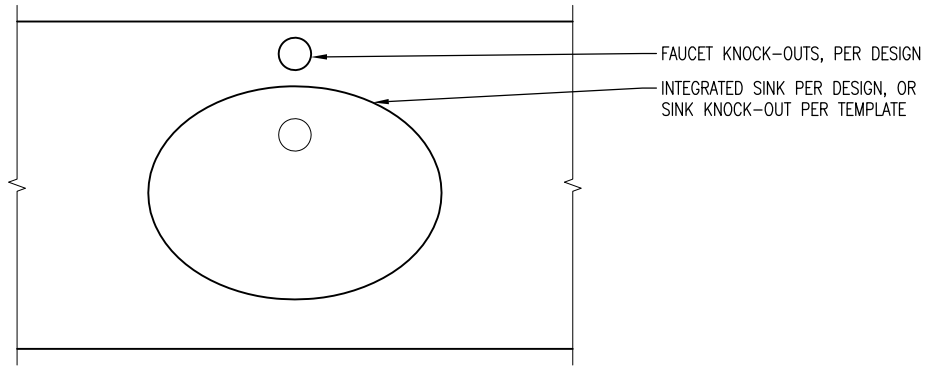
ENVISION CONCRETE COUNTERTOP DETAIL

DATE: 02/24/2010
SCALE: AS NOTED
DRAWN BY: C. HAWS
SHEET #: 1

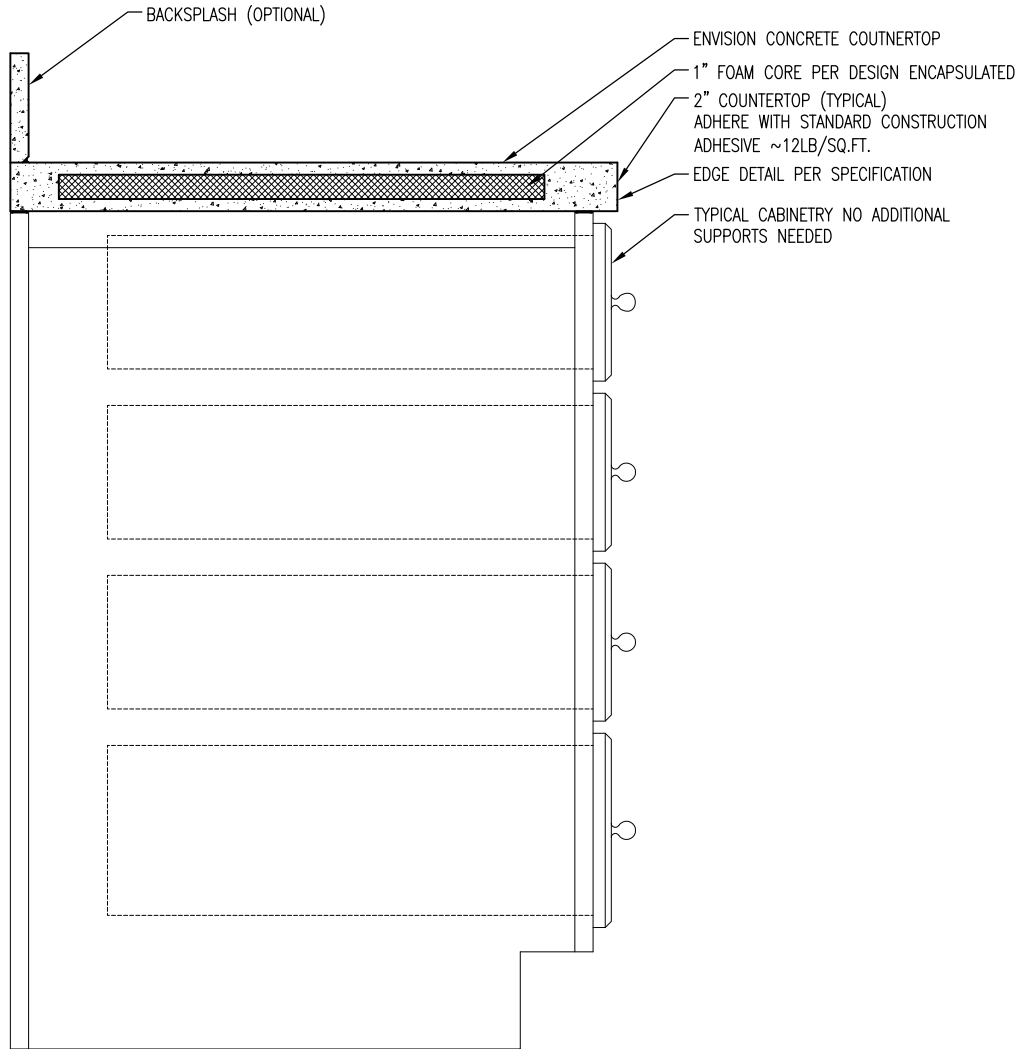
TUSCAN STONEWORX
 165 N. 1330 W. Ste. C-4 Orem, Utah 84057
 P: (888) 368-9494 F: (801) 734-6815
 WWW.TUSCANSTONEWORX.COM

N:\Tuscan Cast Stone\01-Clients\Tuscan StoneWorx\Arch. Details\Countertop Details.dwg

The architecture, engineering and design of the project using Tuscan StoneWorx is the responsibility of the project's design professional. Tuscan StoneWorx is a cast product that derives from natural stone, leaving a certain degree of color variance beyond our control. All systems must comply with state and local building codes and standards. This drawing is for preproduction approval and is not intended for production of parts, thus Tuscan StoneWorx disclaims any liability for the approval of this drawing and for the architecture, design, engineering or workmanship of any project.



1 TYPICAL ENVISION CONCRETE COUNTERTOP PLAN
Scale: N.T.S.



2 TYPICAL ENVISION CONCRETE COUNTERTOP DETAIL
Scale: N.T.S.

ENVISION CONCRETE COUNTERTOP DETAIL

DATE: 02/24/2010
SCALE: AS NOTED
DRAWN BY: C. HAWS
SHEET #: 2

TUSCAN STONEWORX
 165 N. 1330 W. Ste. C-4 Orem, Utah 84057
 P: (888) 368-9494 F: (801) 734-6815
 WWW.TUSCANSTONEWORX.COM

Tuscan Cast Stone\01-Clients\Tuscan StoneWorx\Details\Countertop Details.dwg

The architecture, engineering and design of the project using Tuscan StoneWorx is the responsibility of the project's design professional. Tuscan StoneWorx is a cast product that derives from natural stone, leaving a certain degree of color variance beyond our control. All systems must comply with state and local building codes and standards. This drawing is for preproduction approval and is not intended for production of parts, thus Tuscan StoneWorx disclaims any liability for the approval of this drawing and for the architecture, design, engineering or workmanship of any project.